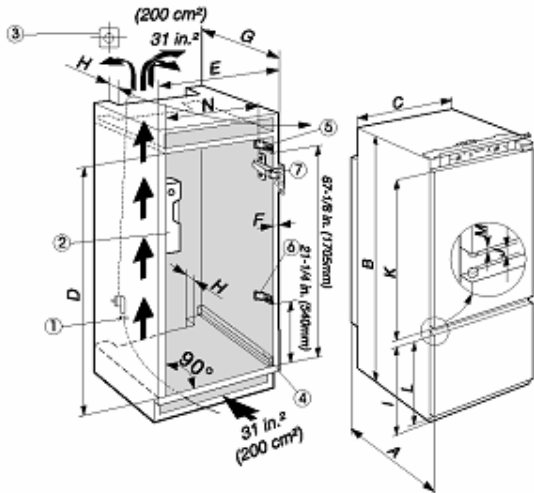


***FOR COMPLETE INSTALLATION INSTRUCTIONS, PLEASE REFER TO THE DESIGN GUIDE**

Unit Dimensions



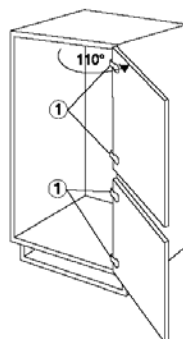
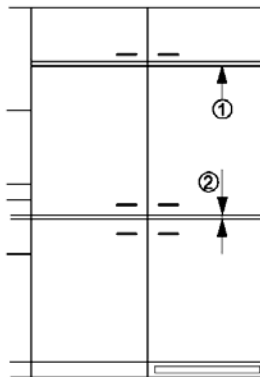
- A. 21-7/32" (544 mm)
 - B. 69-5/8" (1772 mm)
 - C. 21-1/4" (540 mm)
 - D. 69-25/32" - 70-3/8" (1772 - 1788 mm)
 - E. 24" (610 mm) (American Style Cabinet)
 - 23-5/8" (600 mm) (European Style Cabinet)
 - G. 21-21/32" (550 mm) minimum
 - H. 1-1/2". (38 mm) minimum
 - I. 26-13/16" (681 mm)
 - J. 15/16" (24 mm)
 - K. 39-27/32" (1012 mm)
 - L. 26-1/8" (664 mm)
 - M. 1/8" (3 mm)
 - N. 21-7/16" (544.5 mm)
- (clearance needed between kitchen cabinet hinge projection and inside of left wall of kitchen cabinet)
Ventilation space at least 31 in.² (200 cm²) is required.

- ① Fish line for power cord
- ② Level
- ③ Electrical Outlet. The top of the electric outlet must be located within 82-5/8 in. (2100 mm) (Figure 2) from the top of the base in the cabinet.
- ④ Place shims under appliances as necessary
- ⑤ Upper cabinet spacer for 24 in. (610 mm) cabinet width (dimension "E") ONLY
- ⑥ Lower cabinet spacer for 24 in. (610 mm) cabinet width (dimension "E") ONLY
- ⑦ Kitchen Cabinet Hinge

Cabinet Opening Dimensions

You will need two doors for the kitchen cabinet, one on top for the refrigerator compartment, and one on the bottom for the freezer compartment. In general, the doors have these characteristics:

- The doors should be at least 5/8 in. (16 mm) thick to allow the connecting rails to be fastened to them.
- With both doors closed, there should be a minimum of 1/8 in. (3 mm) between the upper and lower doors(2). Also, there should be an 1/8 in. (3 mm) clearance between the upper door and the cabinet door(1) above it (if any).
- The top edge of the upper door (1) and lower door (2) should be even with the doors of adjoining cabinet(s), if any.
- The position of the joint between the kitchen cabinet doors must be level with the position of the joint between the appliance doors (2).
- Adjust the door alignment before installing the appliance. It is impossible to adjust the door with the appliance installed.
- Check the installation dimensions
- Use high quality inside hinges (1) to mount the doors to the cabinet. The hinges should be adjustable to make sure the doors fit squarely when they are closed.
- Make sure that you account for the projection (thickness) of the hinge you select. You must have 21-7/16 in. (544.5 mm) clearance between left inner wall of the cabinet and the projection (thickness) of the hinge. See Section 3.1.3. dimension "N."
- The maximum hinge opening angle is 110°.
- Consider having a professional install the refrigerator-freezer in your kitchen cabinet.



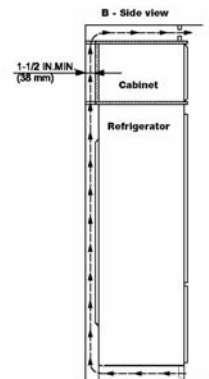
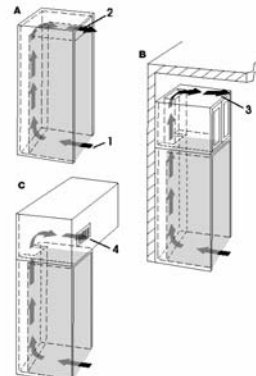
Unit Venting

1. The following ventilation dimensions must be observed:

There must be a ventilation space at least 31 in.² (200 cm²) at the airflow inlet (1) and at the airflow outlet (2). The 30" and 60" models are equipped with a rolling base, which is already providing you with the bottom airflow inlet requirements.

The top ventilation space can be directed in one of the following ways:

- A) Directly over the appliance (2) with either an optional factory air vent or custom made one using the template supplied with the unit.
- B) Above the cabinet and below the ceiling (3).
- C) Through a vent installed in a soffit (4).

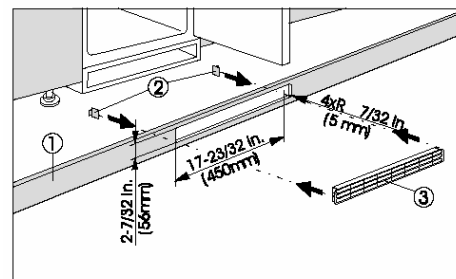


The refrigerator is designed to allow proper air flow when the appliance is installed up against the wall. A minimum space of 1 1/2" is required when a cabinet is built above.

Ventilation through the cabinet base at the bottom can be achieved by installing the provided ventilation grill (3) or via a ventilation opening of at least 31 in.² (200 cm²).

When using the provided ventilation grill (3), please proceed as follows:

- In the cabinet base, cut out a ventilation opening that is 17-23/32 in. (450 mm) in width and 2-7/32 in. (56 mm) in height.
- Insert ventilation (3) grill into the cabinet base cut-out (1).
- From the back side, slide the snap-fits (2) into the grille until the hooks make contact with the cabinet base.
- Completely mount cabinet base (with ventilation grill and snap-fits) to kitchen cabinet.



Note: Given that the Side-by-Side consists of 2 units, You will need to plan for 2 identical cabinets

Electrical Requirements

A 115 Volt, 60Hz, 15 Amp (20 Amp for side-by-side) fused electrical supply is required. We recommend using a dedicated circuit to prevent electrical overload.