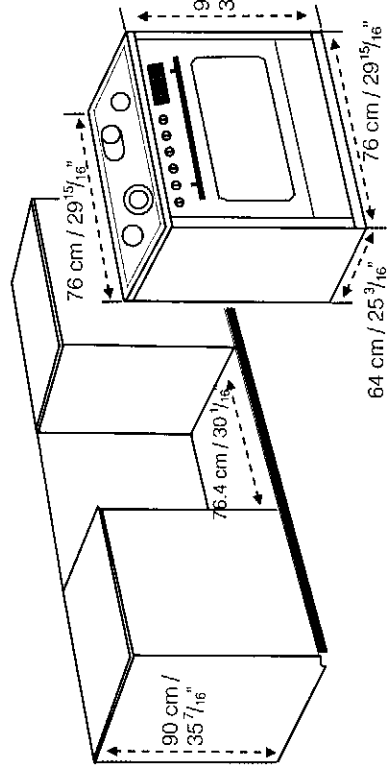


Specifications

Stainless Steel Range – SIC 76

Stainless Steel Range – SIC 90 / SIG 90



SIS 90 - ELECTRICAL REQUIREMENT:

208/230 Volt/60hz 50 AMP

92cm H x 90cm W x 60/64cm D

36 1/4" H x 35 7/16" W x 23 5/8 / 25 3/16" D

Dims:

92 cm / 36 3/16"

90.2 cm / 35 1/2"

SIG 90 - ELECTRICAL REQUIREMENT:

208/230 Volt/60hz 30 AMP

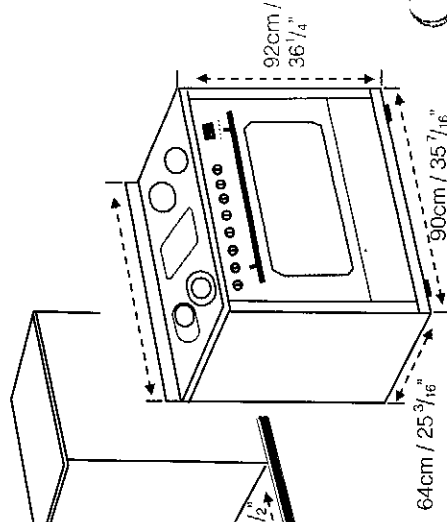
92cm H x 90cm W x 60/64cm D

36 1/4" H x 35 7/16" W x 23 5/8 / 25 3/16" D

Dims:

64 cm / 25 3/16"

90.2 cm / 35 1/2"



ELECTRICAL REQUIREMENT:

208/230 Volt/60hz 50 AMP

92cm H x 76cm W x 60/64cm D

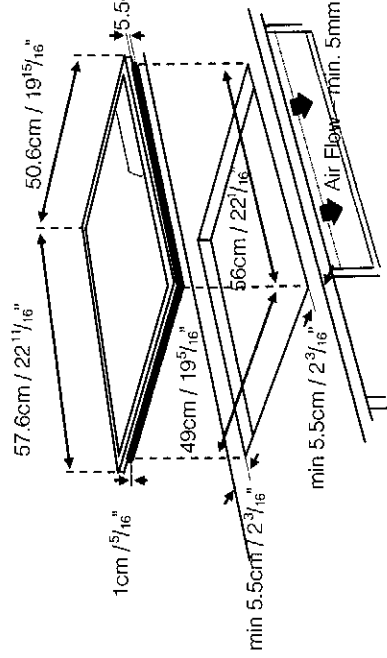
36 1/4" H x 29 15/16" W x 23 5/8 / 25 3/16" D

Dims:

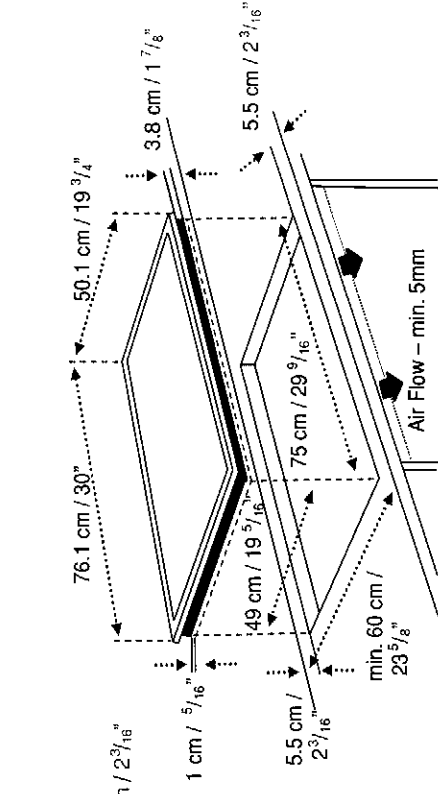
90 cm / 35 7/16"

90.2 cm / 35 1/2"

Induction Cooktops – 6800IK-mn



Induction Cooktops – 8810IK – mn



A minimum gap of 20mm must be left between bottom of cooktop and top of oven

A minimum gap of 20mm must be left between bottom of cooktop and top of oven

ELECTRICAL REQUIREMENT:

208/230 Volt/60hz

40 AMP / 7400W

Unit Dims: 57.6cm W x 50.6cm D / 22 11/16" W X 19 15/16" D

Cut-outs: 56cm W x 49cm D / 22 1/16" W x 19 1/4" D

ELECTRICAL REQUIREMENT:

208/230 Volt/60hz

40 AMP / 7500W

Unit Dims: 76.1cm W x 50.1cm D / 30" W X 19 3/4" D

Cut-outs: 75cm W x 49cm D / 29 9/16" W x 19 5/16" D