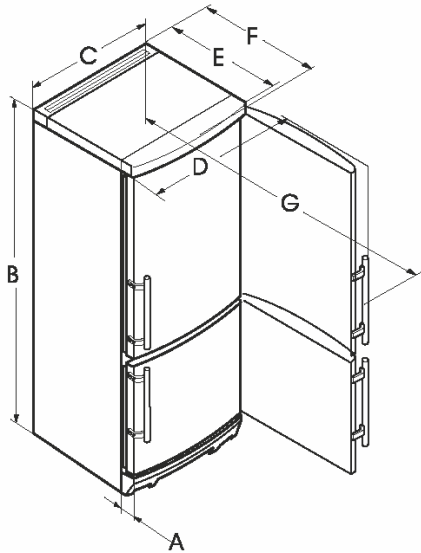


***FOR COMPLETE INSTALLATION INSTRUCTIONS, PLEASE REFER TO THE DESIGN GUIDE**

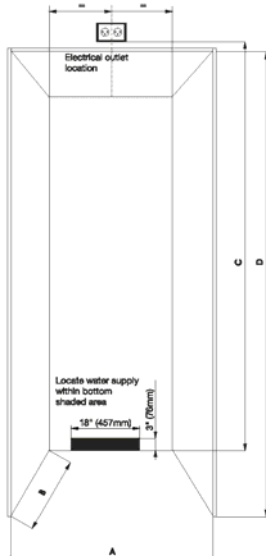
Unit Dimensions



CS 1640

- A. 2-1/4" (57.5 mm)
- B. 78-3/4" (2000 mm)
- C. 29-1/2" (750 mm)
- D. 31-3/8" (797 mm)
- E. 23-1/4" (590 mm)
- F. 24-13/16" (630 mm)
- G. 51-25/32" (1315 mm)

Cabinet Opening Dimensions



CS 1640

- A. 29-7/8" (759 mm)
- B. 23-3/16" (589 mm)
- C. 85" (2159 mm)
- D. 79-3/32" (2009 mm)

Unit Venting

DO NOT restrict the air flow. An air flow of at least 2" (50mm) must be provided. The opening can either be directly over the appliance or on the back of the cabinet on top of the unit (see ventilation requirements).

The CS models can be installed in standard 24" deep cabinets. You will only have to make sure that the door swing clearance is enough. It is possible to push all CS models to the rear wall of the cabinet without modification.

When installing the appliance next to a wall, a distance on the hinge side of 1 27/64 inches (36 mm) minimum is required between the appliance and the wall to allow for the door handle projection when the door is open.