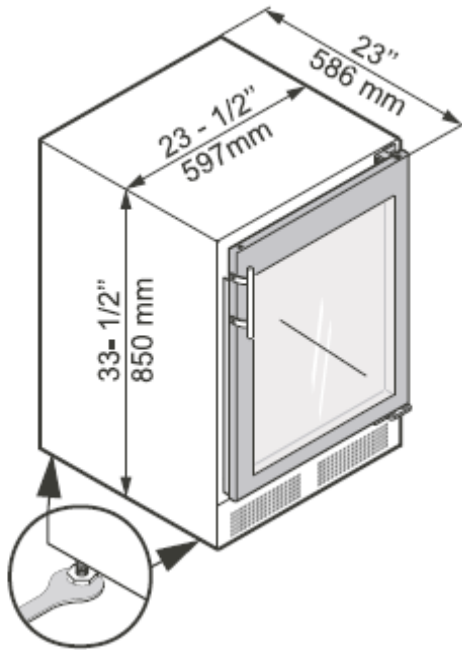


***FOR COMPLETE INSTALLATION INSTRUCTIONS, PLEASE REFER TO THE DESIGN GUIDE**

Unit Dimensions

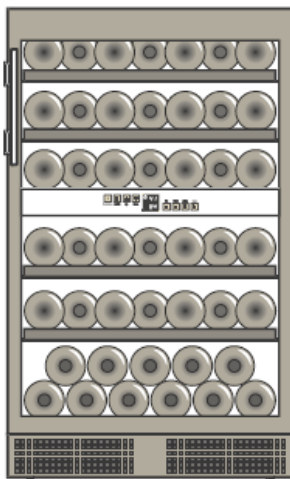
* Overall height can be increased by 1-1/8 inch (28mm) by adjusting the feet.



Electrical Requirements

Connect wine cabinet to a 115 VAC, 10 Amp (15 Amp for side-by-side) circuit that is controlled by a circuit breaker or fuse.

Unit Venting



Liebherr wine units are extremely quiet when operating. With its freestanding and stylish design, the WS4000/4600 can be placed in any room. The timeless stainless steel cabinet harmonizes with your any design, be it in the kitchen or of your living room.