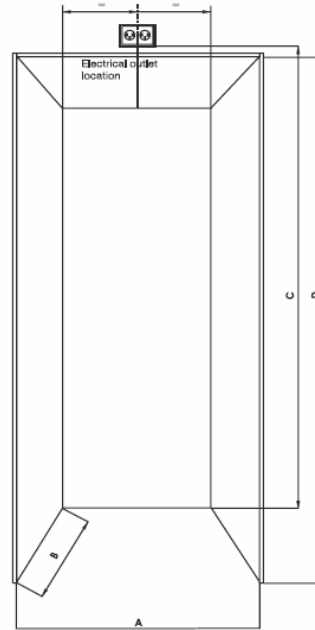
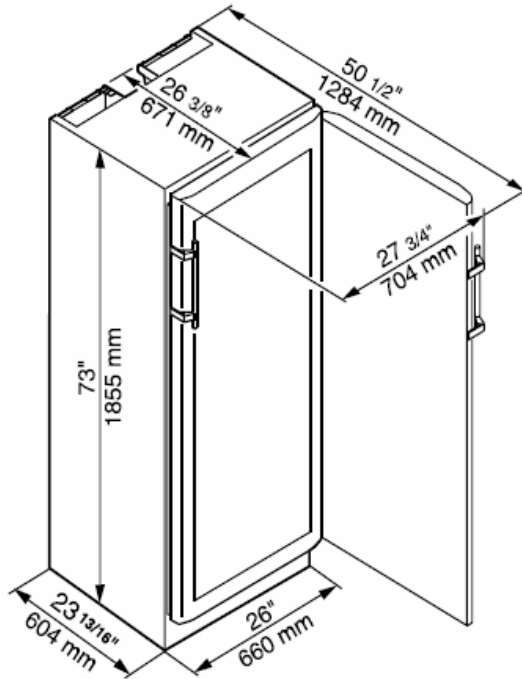


***FOR COMPLETE INSTALLATION INSTRUCTIONS, PLEASE REFER TO THE DESIGN GUIDE**

Unit Dimensions



Minimum Cabinet Opening Dimensions:

WS 14300

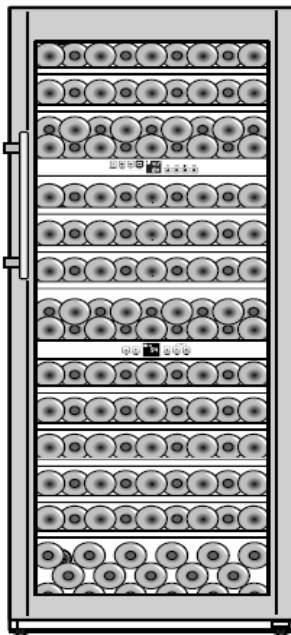
- A. 26" (660 mm)
- B. 24" (609 mm)
- C. 79-3/8" (2015 mm)
- D. 75" (1905 mm)*

***Note:** The given cabinet opening height dimension includes 2" for ventilation. If you choose to ventilate the appliance above the cabinet or in a soffit, you will need to adjust the height dimension accordingly.

Electrical Requirements

Connect wine cabinet to a 115 VAC, 10 Amp (15 Amp for side-by-side) circuit that is controlled by a circuit breaker or fuse.

Unit Venting



The perfect and most flexible solution for those wine lovers: The three temperature zones of the WS 14300 allow you to store all your preferred wines at the exact temperature you desire: Be it champagne, white, red or rose wine. Every temperature zone can be adjusted separately and independent from the other zones.