

Cut-out Dimensions for AEG Competence B6139

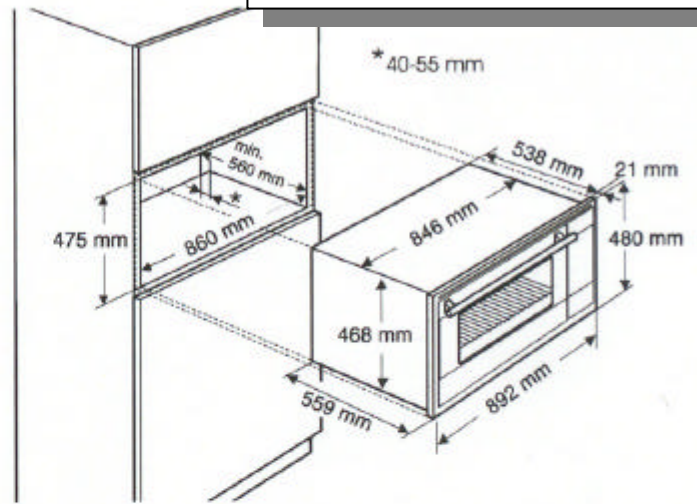
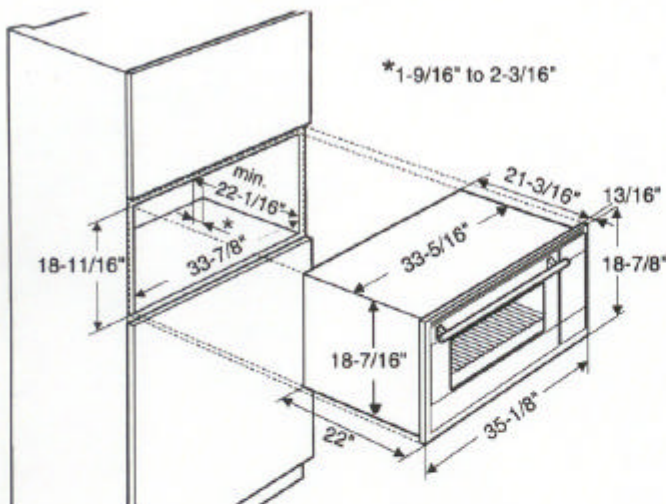
Electrical Information
240 Volt/60 hZ/20 AMP

Oven Exterior Dimensions
H 48 cm/W 89.2 cm/D 54.9 cm

Interior Usable Space
H 29.5 cm/W 58.5 cm/D 39.5 cm
Capacity: 68 l

Installation in a high cupboard

The frame of the oven should overlap the boundary at the bottom and on both sides.



Installation under a countertop

The frame of the oven overlaps the niche boundary at the bottom and on both sides.

