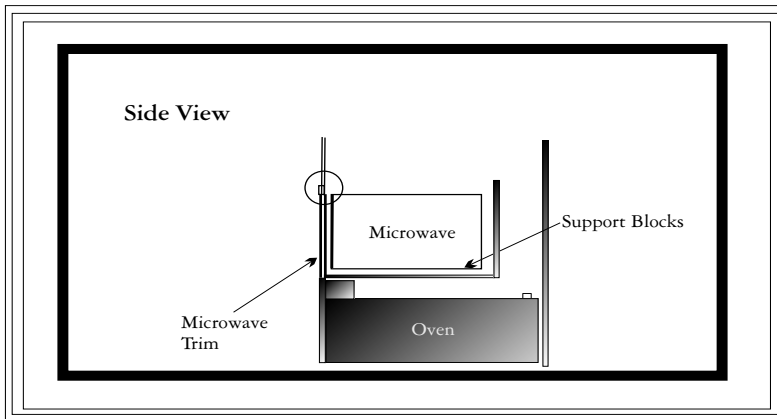


AEG

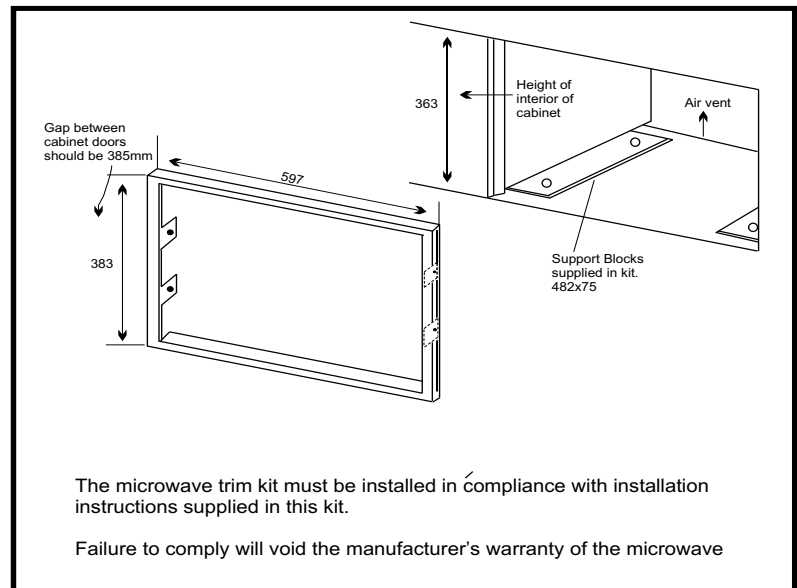
Electrolux

MICROWAVE TRIM KIT - MWTK 60 SS THE ONE-PIECE MICROWAVE TRIM KIT

The MWTK 60SS is designed to fit into a 60cm, or 24" oven cabinet, and make the oven tower, including the microwave, look like one integrated unit. The gables can be either 16mm=5/8" or 19mm=3/4" thick.



1. Unscrew the 4 screws holding the 2 pieces of wood in place, and retain the screws.
2. Hold the MWTK 60 SS in place and position the 2 pieces of wood against the cabinet sides and against the MWTK. Remove the MWTK.
3. Screw the 2 pieces of wood onto the base of the cabinet. The wooden strips should touch the inside of the front of the MWTK 60 SS, and be aligned against the side gables. (wooden stripes 18" = 46cm apart)
4. Being careful not to scratch the microwave door, lift the microwave onto the wooden strips, and move it back about 2 inches.
5. Place the MWTK 60 SS into position. Use the 4 screws and screw them through the flanges into the side gables.
6. Pull the microwave forward, and align the front of the microwave with the front of the MWTK.
7. To stop the microwave from sliding backwards whilst opening it, it might be necessary to attach a piece of wood behind the feet of the microwave.
8. Air must be able to flow from the microwave upwards and into the room, or roof space. Failure to comply will void the manufacturer's warranty.



Recommended Microwave Ovens for this trim kit:

Panasonic Stainless steel - NNT888S & NNP795S

DISTRIBUTED BY: EURO-LINE APPLIANCES INC.

2150 Winston Park Drive, Unit #20
Oakville, ON L6H 5V1
Tel: 1-800-421-6332

PERFECT IN FORM AND FUNCTION

AEG

Electrolux