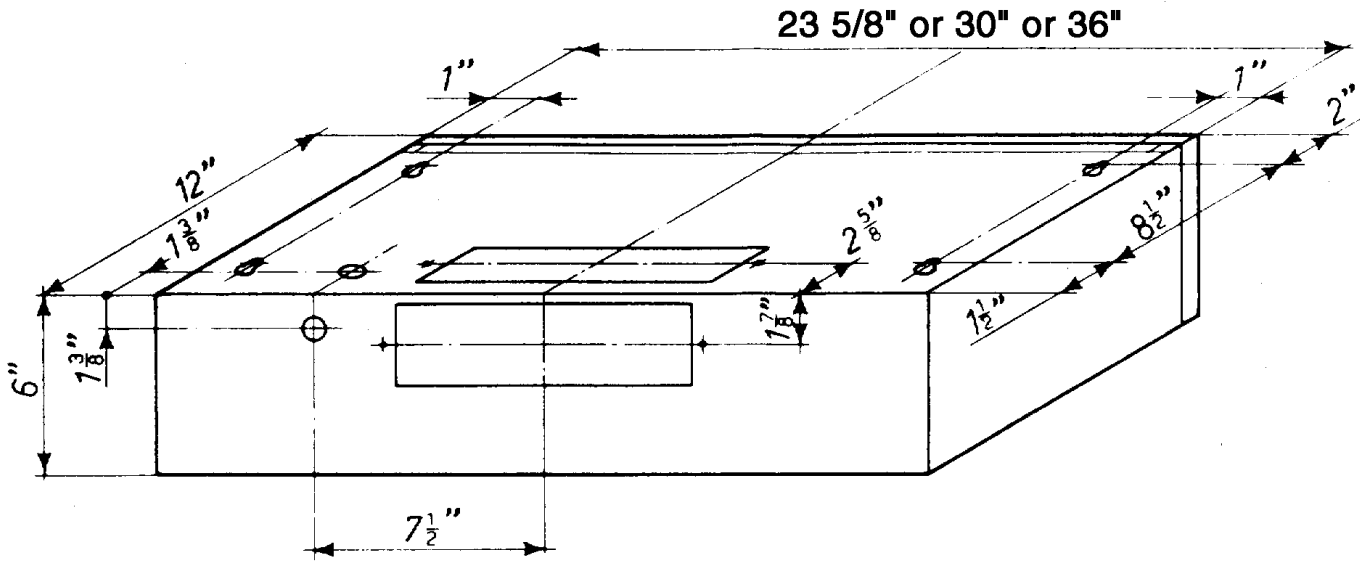
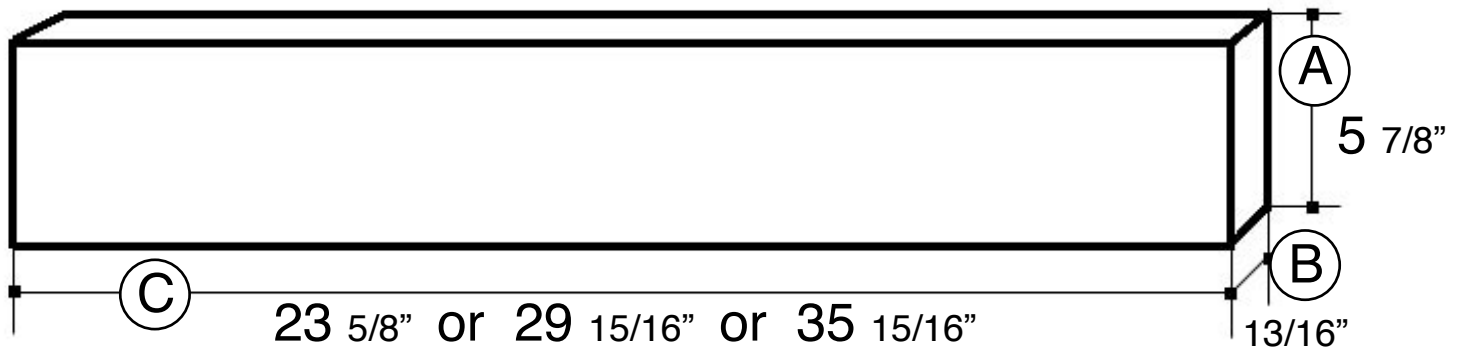


Dimensional Diagram



Custom Front Panel Dimensions - for replacing the entire front panel*



* If you wish to keep the frame of the front panel and only replace the glass panel, the dimensions are as follows: A=5 11/16", B=1/8", C=29 11/16" (for 30" model) or 35 11/16" (for 36" model). The glass panel is 1/8" thick, but the frame is adjustable to accommodate a thinner panel like stainless steel.

Pre-Planning Your Ductwork - Important:

Consult the installation instructions before you begin installing this rangehood.

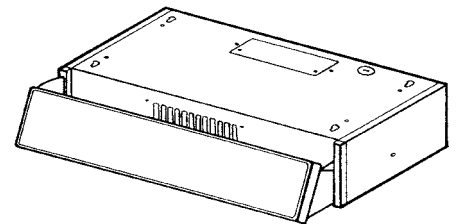
Make your ductrun as straight and short as possible. The ductrun should not exceed 25 equivalent feet if ducted with 3 1/4" by 10" rectangular duct. Count 45° angles as 3 feet, 90° elbows as 5 feet, and 90° flat elbows as 12 feet.

For best results, use no more than three 90° elbows. Make sure that there is a **minimum of 24"** of straight duct between elbows if more than one is used. **Do not install two elbows together.** If you must elbow right away, do it as **far away** from the hood's exhaust opening as possible.

Ductless Installations

For installations where ductwork is impossible or highly impractical **Charcoal Filters**, which attach to the blower assembly, absorb smoke and odors.

The blower must be positioned with the exhaust pointing forward (so that the exhaust exits from the front grill).



WARNING! Product specifications are subject to change without notification. Consult the installation instructions before you begin installing this rangehood.