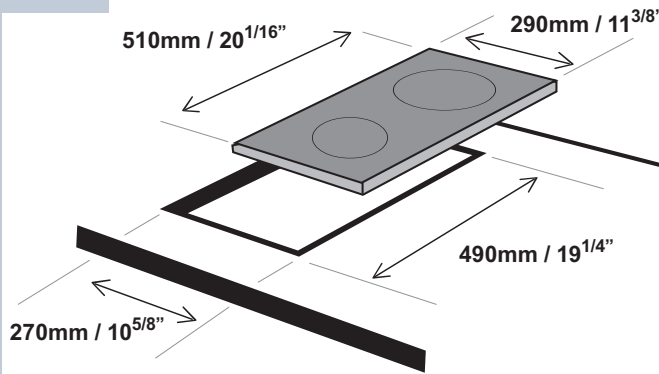
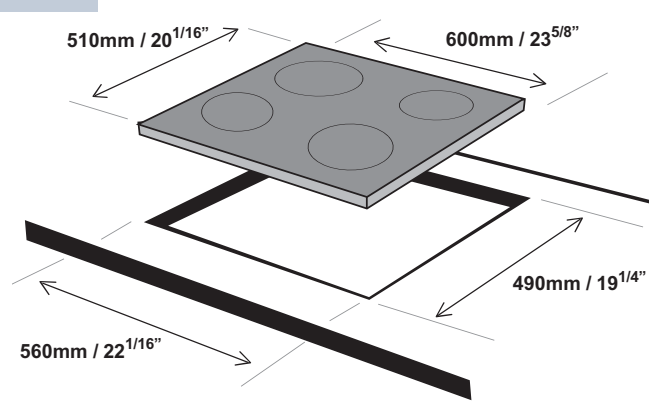


Product Specifications Ceran Cooktops

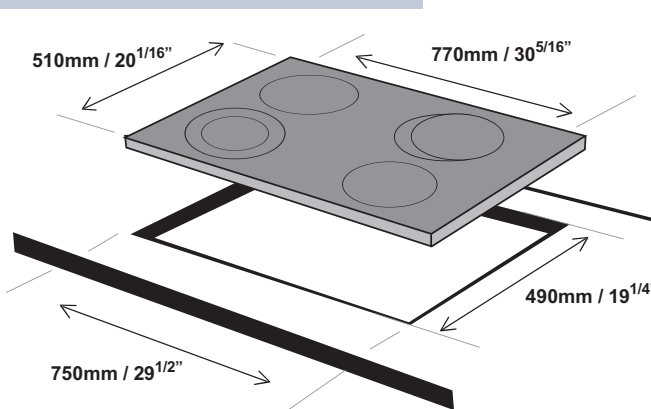
CC30



CC60

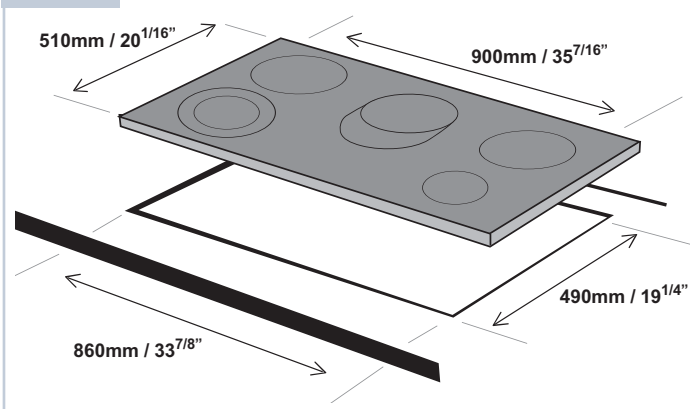


CC76 / CI76 INDUCTION*



* CI76 INDUCTION: Minimum 65mm accommodation requirement for airflow. For further details refer to installation instructions.

CC90



50mm / 2" height on all Ceran Cooktops

Electric Cooktop Specifications

Model	Unit Dimensions mm (w x d)	Cut-out Dimensions mm (w x d)	Electrical	Amperage Required
CC 30S	290 x 510	270 x 490	240 Volt 60Hz	20 AMP
CC 60-2	600 x 510	560 x 490		40 AMP
CC 76-2	770 x 510	750 x 490		40AMP
CC 90-2	900 x 510	860 x 490		40 AMP
CI 76 Induction	770 x 510	750 x 490		40 AMP

Electric Cooktop Capacity

Model	Zone Dimensions	Zone Capacity
CC 30S	1 x 180mm	1700w
	1 x 145mm	1200w
CC 60-2	2 x 145mm	1200w
	1 x 165mm / 265mm	1400w / 2200w
	1 x 120mm / 210mm	750w / 2200w
CC 76-2	2 x 145mm	1200w
	1 x 165mm / 265mm	1400w / 2200w
	1 x 120mm / 210mm	750w / 2200w
CC 90-2	2 x 145mm	1200w
	1 x 180mm	1800w
	1 x 165mm / 265mm	1400w / 2200w
CI 76 Induction	1 x 120mm / 210mm	750w / 2200w
	1 x 160mm	1600w
Induction	1 x 190mm	1800w
	1 x 190mm	1800w-Booster 2800w
	1 x 220mm	2200w-Booster 3000w
	1 x 220mm	2200w-Booster 3000w