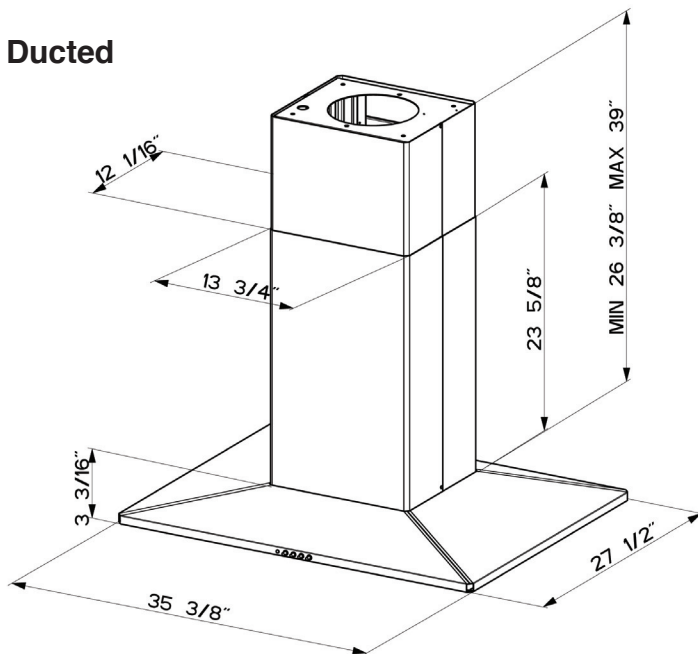
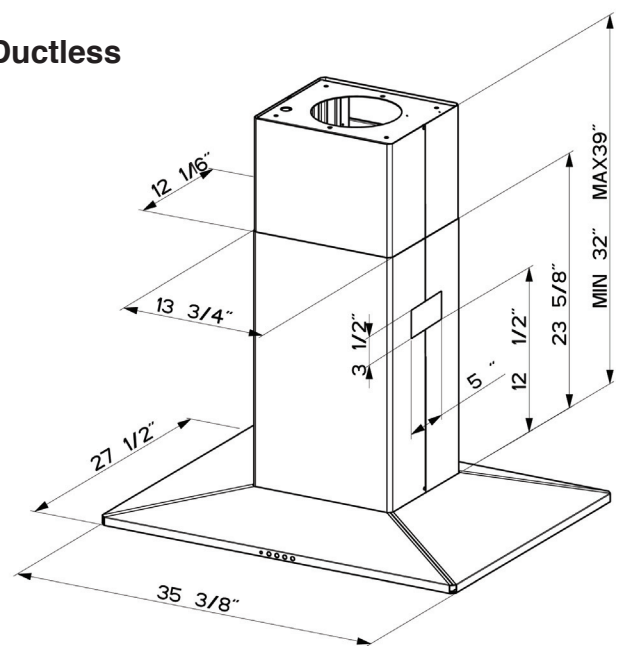


# Dimensional Diagrams

## Ducted

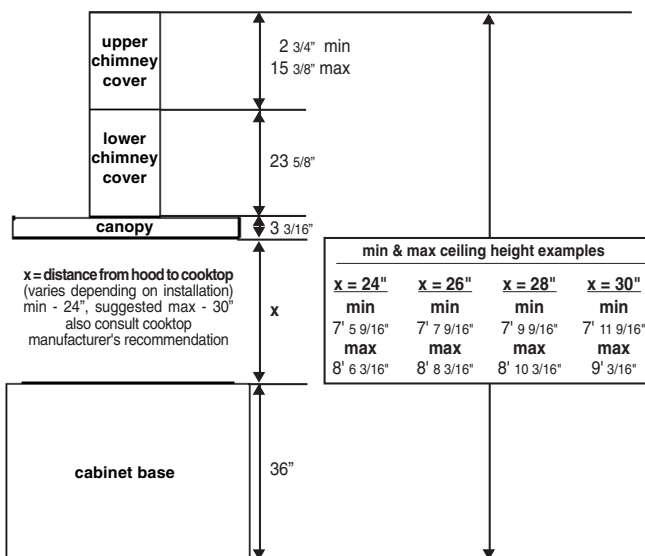


## Ductless

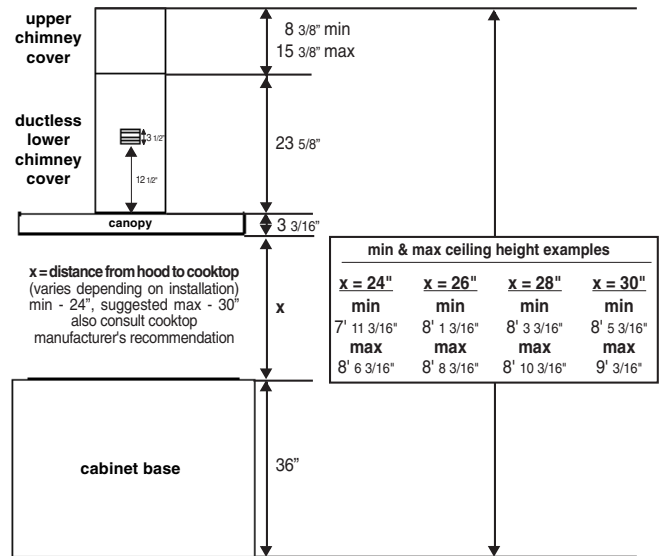


**Pre-Planning Your Installation** - Important: Consult the installation instructions before you begin installing this rangehood.

## Ducted



## Ductless



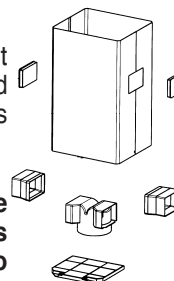
The ducted Diamante Isola chimney can be adjusted for ceilings between 7' 5 9/16" and 9' 3/16" depending on the distance between the bottom of the hood and the cooktop (**distance x in above DUCTED diagram**). The ductless Diamante Isola chimney can be adjusted for ceilings between 7' 11 3/16" and 9' 3/16" depending on the distance between the bottom of the hood and the cooktop (**distance x in above DUCTLESS diagram**). For higher ceiling installations, the **High Ceiling Chimney Kit** includes an additional support structure which adds 27 1/2" to the various ceiling heights in the figures above.

**Pre-Planning Your Installation** - Important: Consult the installation instructions before you begin installing this rangehood.

Make your ductrun as straight and short as possible. The ductrun should not exceed 35 equivalent feet if ducted with the required minimum of 6" round duct. Count 45° angles as 3 feet, 90° elbows as 5 feet, and 90° flat elbows as 12 feet.

For best results, use no more than three 90° elbows. Make sure that there is a **minimum of 24"** of straight duct between elbows if more than one is used. **Do not install two elbows together. If you must elbow right away, do it as far away from the hood's exhaust opening as possible.**

**WARNING!** Product specifications are subject to change without notification. Consult the installation instructions before you begin installing this rangehood.



## Ductless Installations\*

For installations where ductwork is impossible or highly impractical, a **Ductless Conversion Kit** is available. A charcoal filter, which attaches under the blower assembly, absorbs smoke and odors. A ductless diverter assembly directs the air out to a lower chimney with vent grates cut into the sides.

\* it is highly recommended that professional style cooking always be vented to the outside.

Consult the installation instructions

Rev.04/05