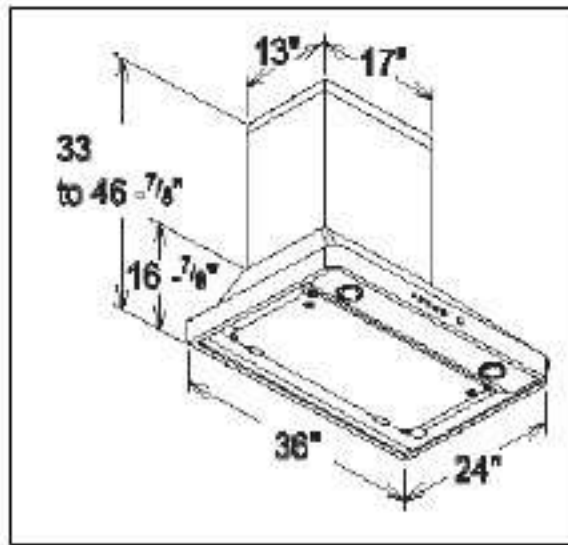


Fujioh ECW 360 Wall Mount
Stainless Steel



- Power Pack
- 620 CFM 6.0 Sones
- Three speed fan
- Dual 50 Watt Halogen Lamps
- Rectifier Baffle Panel Technology