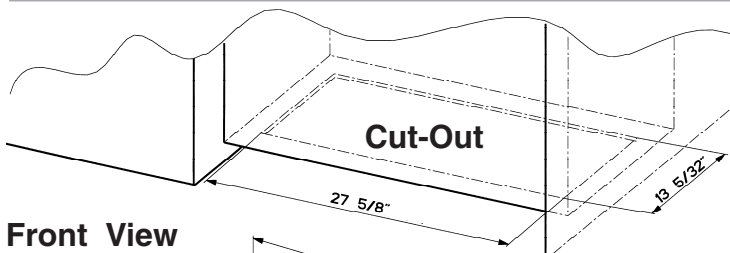
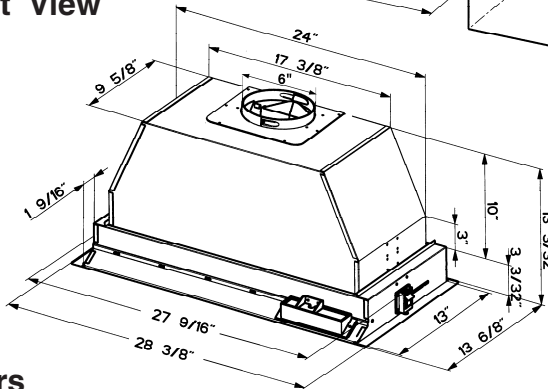


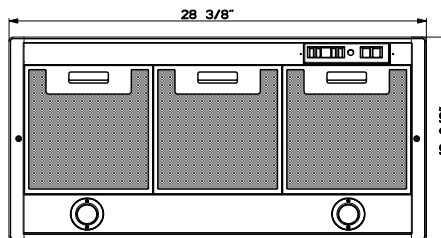
## Dimensional Diagrams



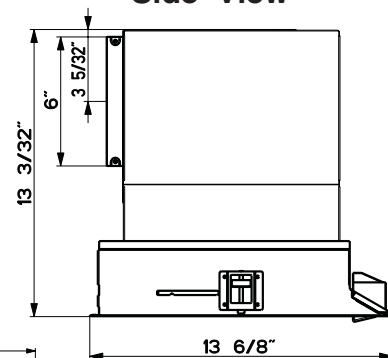
Front View



Bottom View



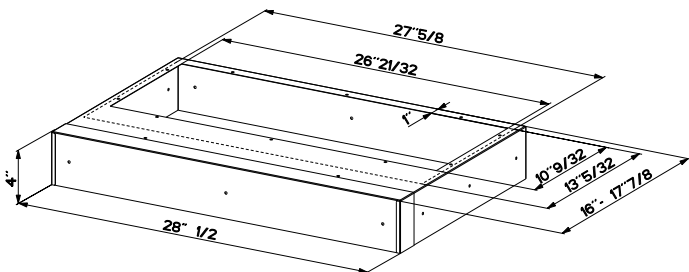
Side View



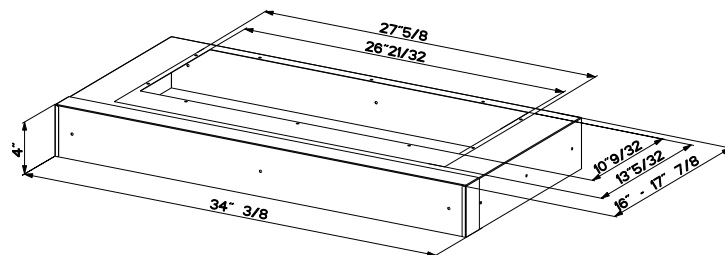
Note: The Inca HC comes standard in the top vent position. The direct rear vent position can be achieved by rotating the blower housing.

## Liners

Create a perfectly-sealed, non-combustible perimeter around the Inca HC SS. Designed for 30" and 36" wide installations. Depth adjustable from 16" - 17 7/8".



Standard Liner 30 Stainless (620000304)  
designed for 30" wide installations



Standard Liner 36 Stainless (620000305)  
designed for 36" wide installations

Note: Standard Liners are pre-cut for installation of Inca Smart. For installations with the Inca HC SS, remove the additional perforated section.

## Pre-Planning Your Ductwork - Important: Consult the installation instructions before you begin installing this rangehood.

Make your ductrun as straight and short as possible. The ductrun should not exceed 35 equivalent feet if ducted with the required minimum of 6" round duct. Count 45° angles as 3 feet, 90° elbows as 5 feet, and 90° flat elbows as 12 feet.

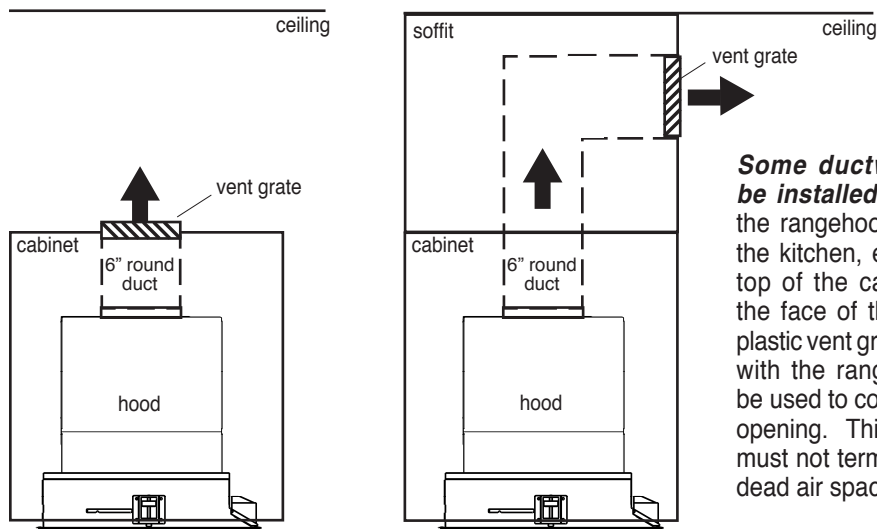
For best results, use no more than three 90° elbows. Make sure that there is a minimum of 24" of straight duct between elbows if more than one is used. Do not install two elbows together. If you must elbow right away, do it as far away from the hood's exhaust opening as possible.

For more efficient airflow when venting to the rear: Rotate the Inca HC blower housing so that the 6" round exhaust outlet faces the back, rather than running ductwork up and elbowing back.

**WARNING!** Product specifications are subject to change without notification. Consult the installation instructions before you begin installing this rangehood.

## Recirculating Installations

For installations where ductwork is impossible or highly impractical **Charcoal Filters**, which attach to the blower assembly, absorb smoke and odors.



**Some ductwork must be installed** to exhaust the rangehood back into the kitchen, either at the top of the cabinet or at the face of the soffit. A plastic vent grate supplied with the rangehood can be used to cover the duct opening. This duct work must not terminate into a dead air space.