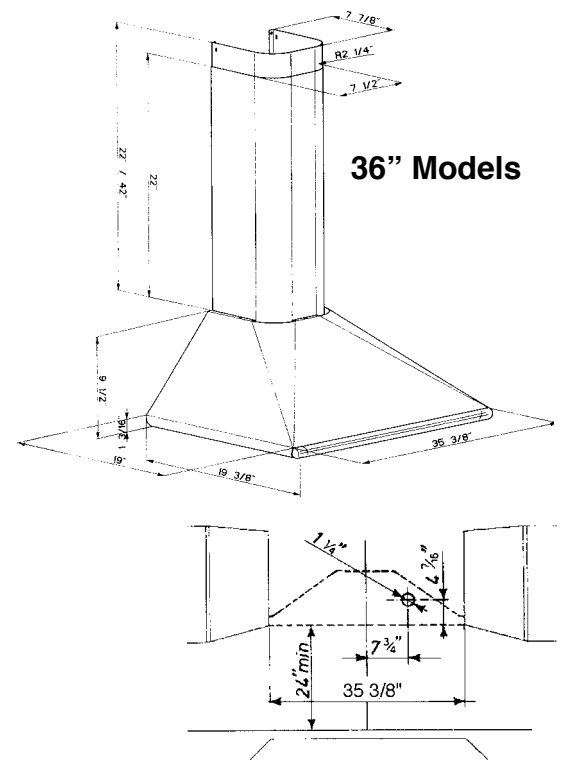
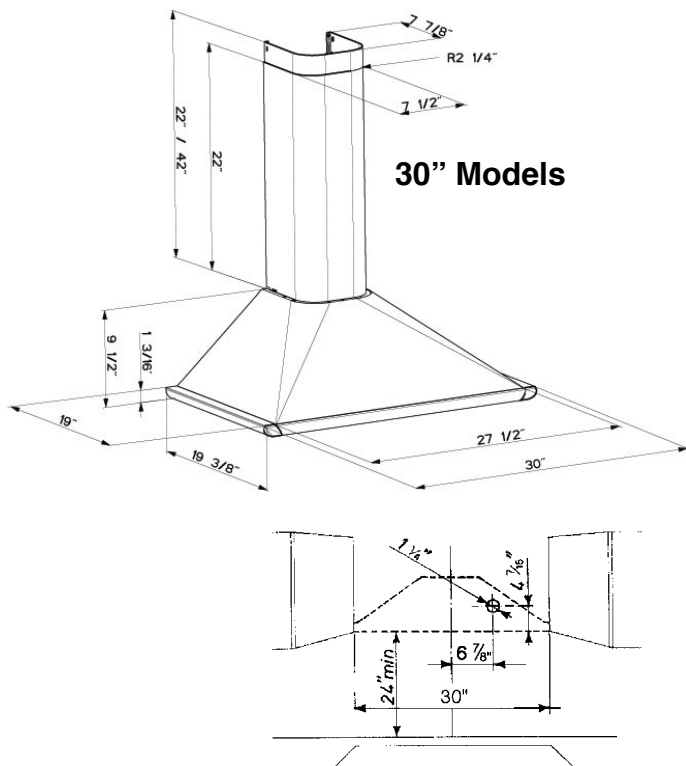
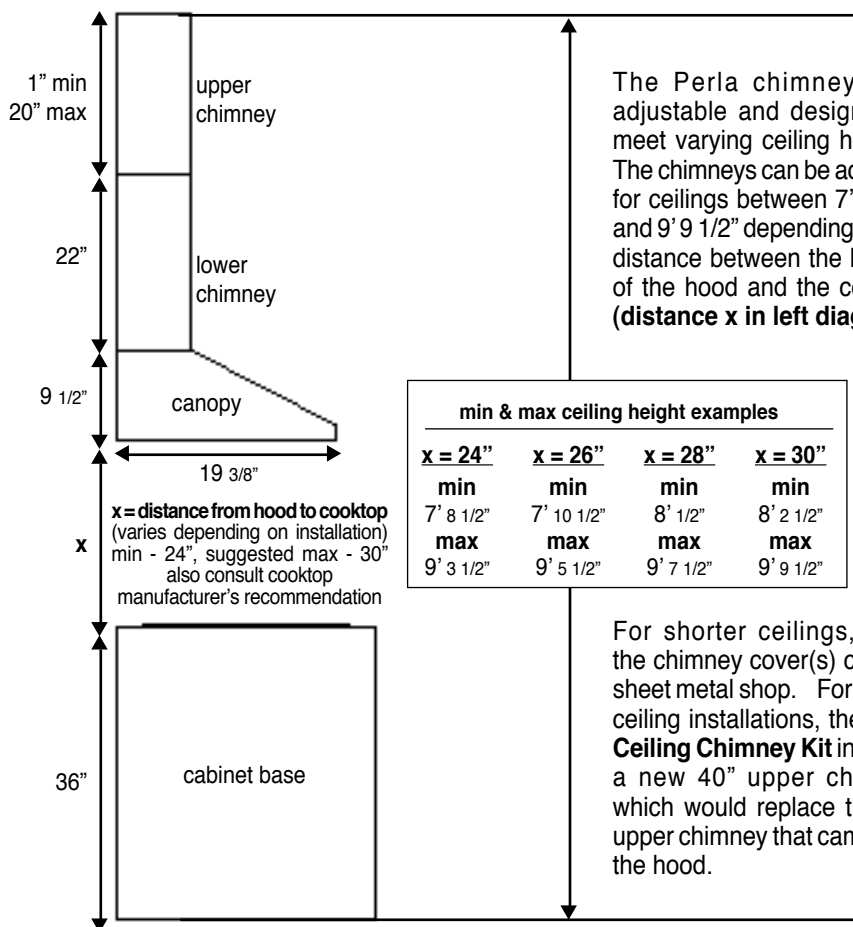


Dimensional Diagrams & Electrical Knockouts



Pre-Planning Your Installation - Important: Consult the installation instructions before you begin installing this rangehood.

Pre-Planning Your Ductwork - Important: Consult the installation instructions before you begin installing this rangehood.

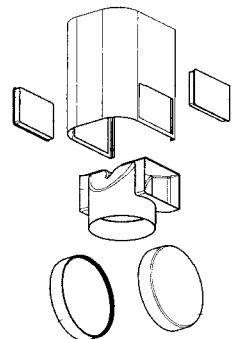


Make your ductrun as straight and short as possible. The ductrun should not exceed 35 equivalent feet if ducted with the required minimum of 6" round ductwork. Count 45° angles as 3 feet, 90° elbows as 5 feet, and 90° flat elbows as 12 feet.

For best results, use no more than three 90° elbows. Make sure that there is a minimum of 24" of straight duct between elbows if more than one is used. Do not install two elbows together. If you must elbow right away, do it as far away from the hood's exhaust opening as possible.

Ductless Installations

For installations where ductwork is impossible or highly impractical, a **Ductless Conversion Kit** is available. Charcoal filters, which attach to the blower assembly, absorb smoke and odors. A ductless diverter directs the air out to a lower chimney with vent grates cut into the sides.



WARNING! Product specifications are subject to change without notification. Consult the installation instructions before you begin installing this rangehood.