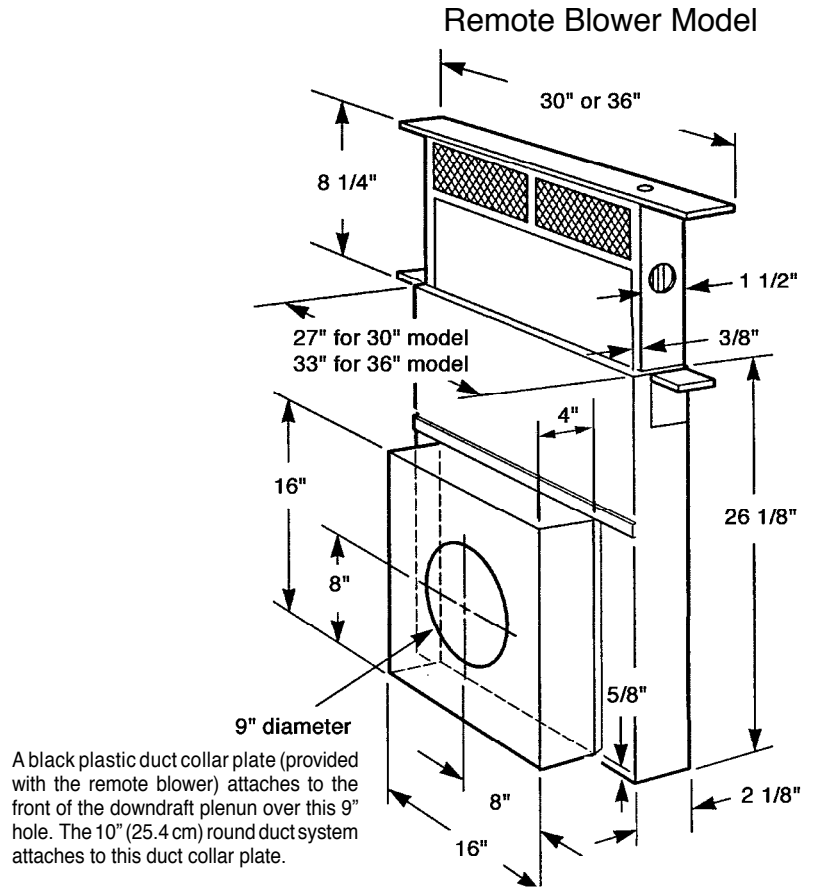
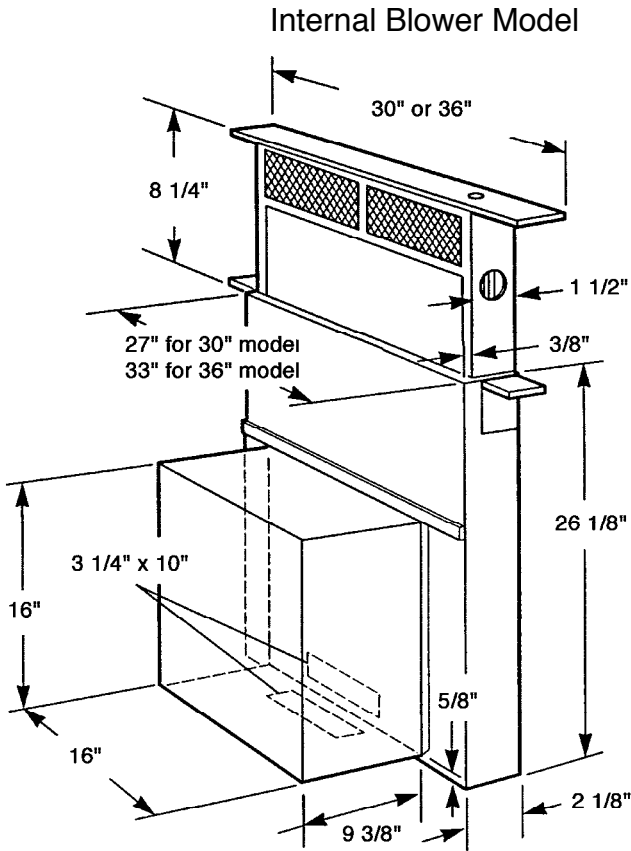
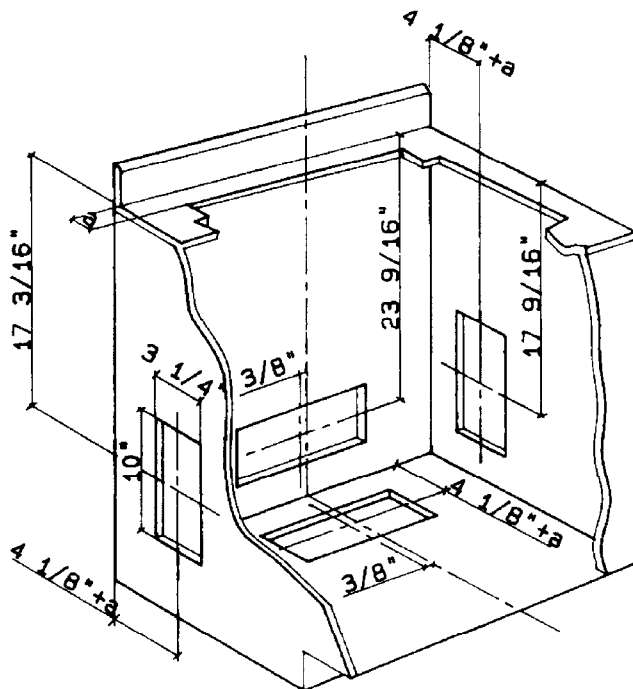


## Dimensional Diagrams

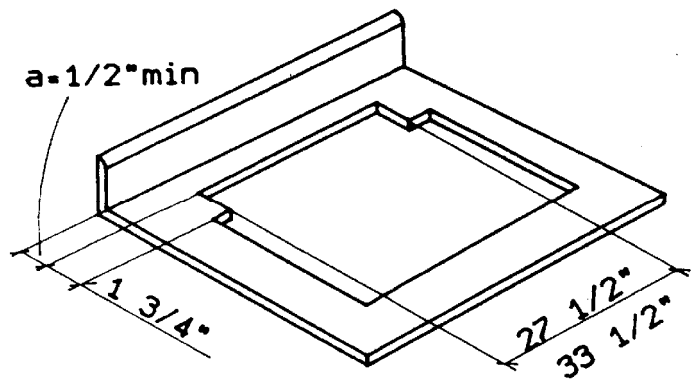


A black plastic duct collar plate (provided with the remote blower) attaches to the front of the downdraft plenum over this 9" hole. The 10" (25.4 cm) round duct system attaches to this duct collar plate.

### Ductwork Cutout Dimensions For Internal Blower Model Only!



### Countertop Cutout Dimensions For Both Internal and Remote Models



**WARNING!** You must know the cook top cutout to determine the downdraft cutout. Consult the cook top manufacturer's installation instructions before cutting the counter top.

**WARNING!** Product specifications are subject to change without notification. Consult the installation instructions for both the remote blower and the ventilation system before you begin installing this rangehood.

Rev. 07/04